

Important: This is an Owner's Manual for Auto Pet Feeder. Please do not discard this.

Congratulations on purchasing the "AUTOPETFEEDER". You will now have more time on your hands. Before you can use this appliance you need to follow some simple steps to assemble the Autopetfeeder and program the digital timer.



DO NOT RETURN THE PRODUCT TO THE STORE

Call 1-888 ERGOSYS (1-888-374-6797)

If there are missing parts. Check all packing for missing parts prior to discarding the package.

Before you call us, please have the following information ready.

1. Details of purchase like invoice number (found on the bill or invoice)
2. Name and model number of the product (found on the manual and on the carton.)
3. Actual problem after following the instructions.
4. List of missing parts.

LIMITED WARRANTY

Please read this warranty carefully. Ergo Systems Inc. will warranty this product to be free from manufacturing defects, including workmanship, when assembled and operated according to operating instructions enclosed with this product, for a period of ninety (90) days from the date of original purchase. This warranty is non-transferable and applies solely to the original purchaser and does not extend to subsequent owners of this product. Please register your product at <http://www.autopetfeeder.com>.

1. Repair service for a period of ninety (90) days from the date of original purchase at no charge for parts and labor with proof of purchase.
2. Replacement of defective parts for a period of 12 months from the date of original purchase with proof of purchase. (Labor not included after initial ninety (90) days.)
3. This warranty does not cover cost incurred in the shipping of the product to and from Ergo Systems Inc. for service. Shipping to Ergo Systems Inc. must be prepaid and insured by UPS or other parcel delivery services.

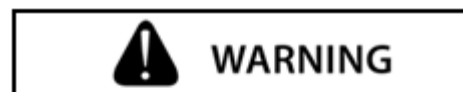
THIS WARRANTY IS VOID IF THE PRODUCT IS:

1. Damaged due to negligence, abuse, misuse, accident, modification, tampering, alteration, faulty installation and / or acts of God.
2. Used for commercial applications or rentals.
3. Modified or repaired by anyone other than Ergo Systems Inc.

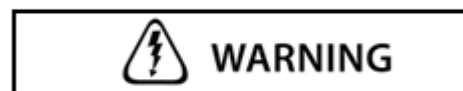
The extent of Ergo Systems Inc. under this limited warranty is the repair or replacement of the product at the sole discretion of Ergo Systems Inc. In no event shall Ergo Systems Inc.'s liability exceed the purchase price paid by the purchaser. Under no circumstances shall Ergo Systems Inc. be liable for any loss, direct, indirect, incidental, foreseen, unforeseen, special or consequential damage arising out of or in connection with the use of this product. This warranty is valid only in the United States of America and Canada.

Reviewing these important safety alert symbols

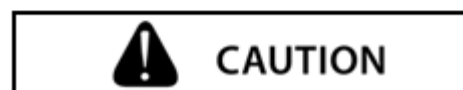
When you see this Safety Symbol on the following pages, it will alert you to the possibility of damage to your Pet Feeder, if you do not comply with the corresponding instructions. The hazard may come from something mechanical or electrical. Read the instructions carefully.



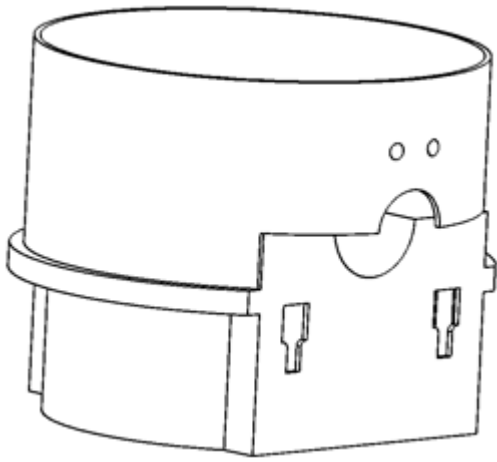
M E C H A N I C A L



E L E C T R I C A L

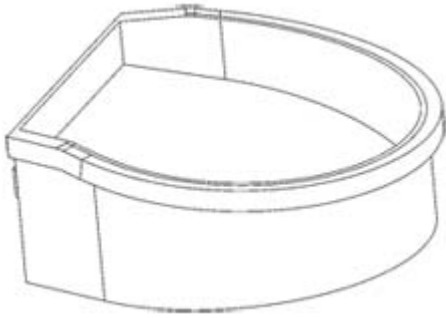


List of parts in the Auto Pet Feeder Box



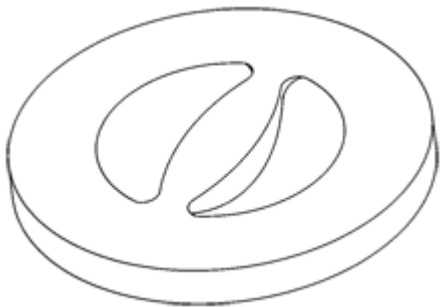
1

Pet Feeder Base



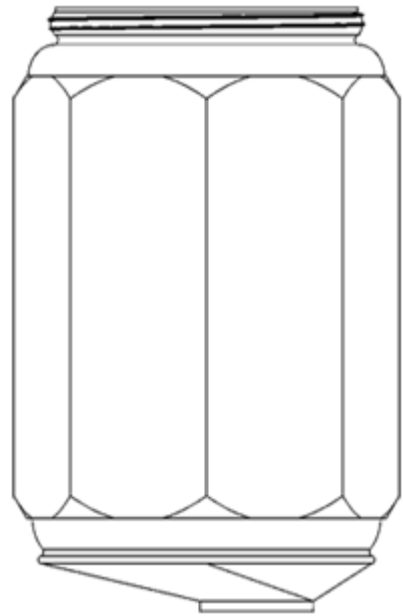
2

Pet Feeder Bowl



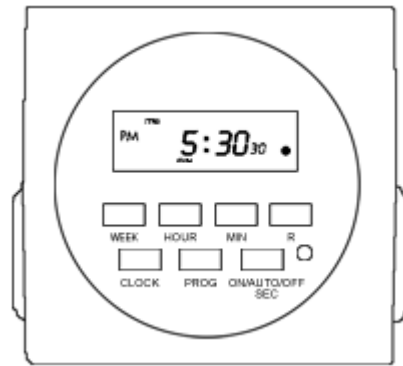
4

Food Storage Container Cover



3

Food Storage Container



5

Digital Timer

Components

1. Pet Feeder base
2. Pet Feeder bowl
3. Food Storage Container
4. Food Storage Container Cover
5. Digital Timer

Assembly

1.1

- Take out the Autopetfeeder from the box.

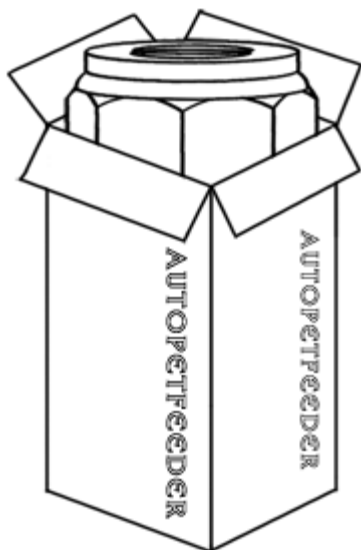


Fig 1

1.2

- The Bowl is aligned with the T-slots on the Pet Feeder body.

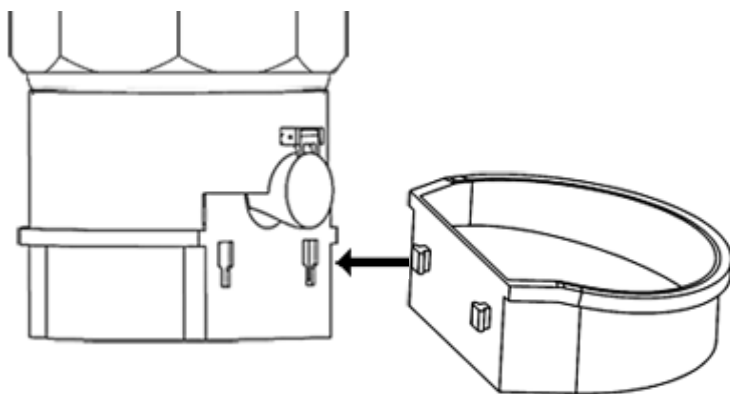


Fig 2

1.3

- Pull down the Pet Feeder Bowl

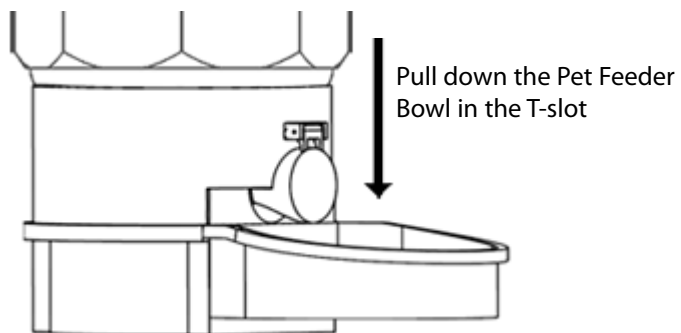


Fig 3

1.4

- Final position of Pet Feeder Bowl

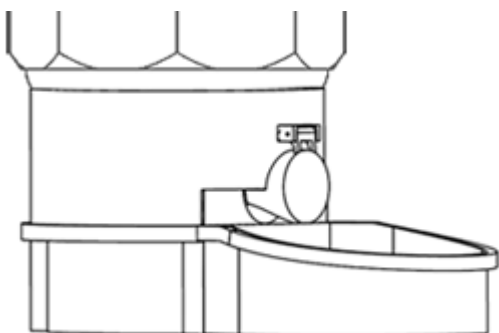


Fig 4

1.5

- The assembly of Auto Pet Feeder is completed.

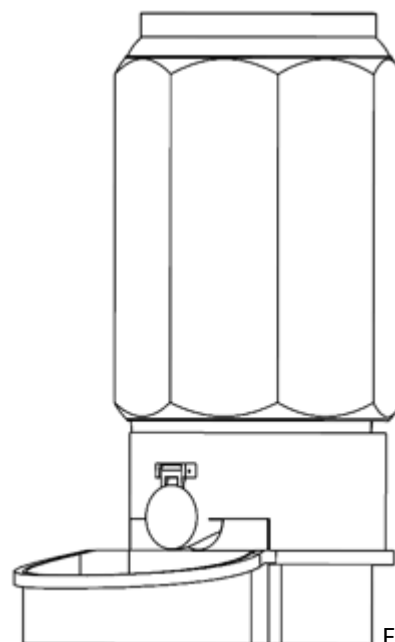
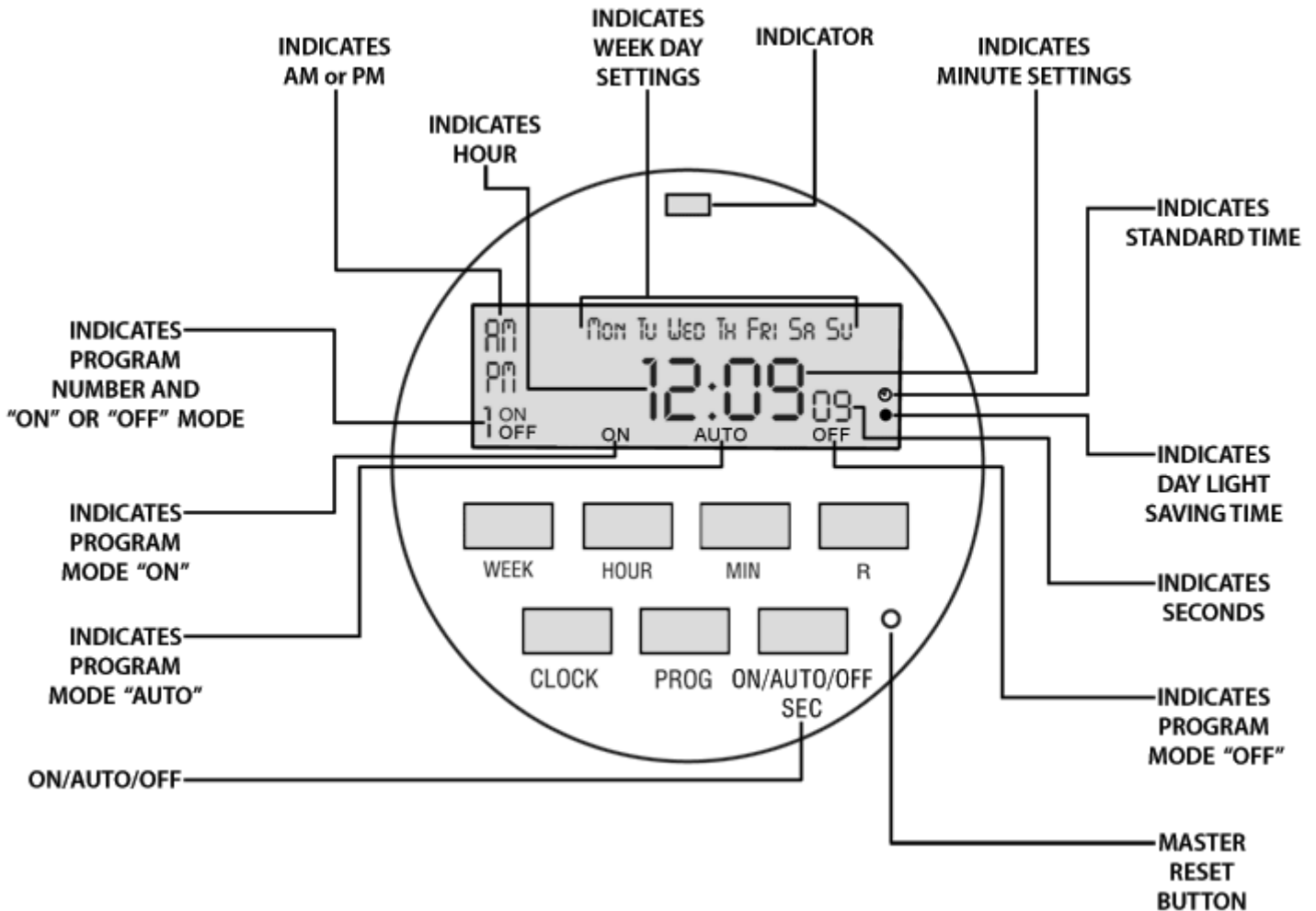


Fig 5

TIMER PROGRAMMING



This is the digital timer unit for the Autopetfeeder. The timer plugs in to the wall socket and has two outlets, one outlet is labeled as **"Power"** which is on the left hand side of the timer, directly connects to the power supply, and the second outlet is labeled as **"Timer"** which is on the right hand side of the timer switches the Autopetfeeder **ON** and **OFF** based on the timer settings. The indicator will glow when ever the feeder is **ON**.

First time use : Connect your digital timer unit into the wall socket. This will charge the internal battery if you are using the timer for the first time. Reset it by pressing the Master Reset button using a small pin such as a paperclip. This will reset the timer. All other programming functions can perform without plugging the timer in to the wall socket.

NOTE:

The timer may have to be charged for 10 minutes prior to use if the timer display is blank. Press the Master Reset button after 5 minutes while the timer is charging.

2.1 Setting the Current Time



Fig 1

- Press and hold the **CLOCK** button. While holding the **CLOCK** button press the **WEEK** button to set the day of the week.



Fig 2

- Press and hold the **CLOCK** button. Now press the **HOUR** button to set the hour.



Fig 3

- Press and hold the **CLOCK** button. Press the **MINUTE** button to set the minutes.

2.2.1 Day Light Saving Time



Fig 4

- To set day light saving time, press the **HOUR** and the **MINUTE** button simultaneously. This will make the clock to run an hour ahead.



Fig 5

- This introduces a ⌚ symbol indicating a small clock above the black dot on the display. This is possible only in clock mode. This indicates that the timer is set in day light saving Mode.

2.2.2 Random Function: DO NOT USE



- By Pressing the **WEEK** and **HOUR** at the same time you will activate the random function. ○ Symbol will be visible on the display. DO NOT USE THIS FUNCTION.

2.3 Understanding the Timer

2.3.1 Number of meal times per day

The Autopetfeeder is capable of feeding your pet 8 times per day. You can set the **ON** time and the **OFF** time for the feeder 8 times per day. This will give you control over the amount of food you feed your pet and also the time you pet is fed. By pressing **PROG** button you will enter into programming mode. The display will now show **1^{ON}**. This means program #1 and **ON** time (time when the feeder turns **ON**) By pressing the **PROG** button again the display will change to **1^{OFF}**. This means program #1 and **OFF** time (time when the feeder turns **OFF**) The time between **ON** and **OFF** determines the quantity of food fed to the pet by the Autopetfeeder. By pressing **PROG** repeatedly we can program up to 8 times i.e. **8^{ON}** and **8^{OFF}**.

2.3.2 Setting ON and OFF Time

- ❑ The pet feeder is capable of feeding different sizes and shapes of pet food. Hence, the quantity of food dispensed per minute changes. It is advised that you measure the quantity of food that your pets consume for every schedule by testing the feeder on the **ON** mode and pre-determining the amount of time required to feed your pet.

ON/AUTO/OFF MODE

- ❑ Now let us understand the different modes of operation in the timer.



Fig 6

- ❑ Press **ON/AUTO/OFF** button to toggle between **ON/AUTO/OFF** mode. The feeder must always be in **OFF** mode prior to setting the auto mode. The display will show the mode in which the timer is set.



Fig 7

- ❑ In **ON** mode the timer is cutoff and the feeder dispenses food continuously. So if you feel that you need to feed your pet a little more than the schedule time just select this mode. This mode is also used to prefill the auger on first time use and measure the quantity of food you schedule every meal time. This is more like a manual feed.




Fig 8

- ❑ In **AUTO** mode the feeder works as per the program schedule. In order for **AUTO** mode to work properly you must cycle from **OFF** mode to **AUTO** mode. Do not cycle from **ON** mode to **AUTO** mode as the feeder will feed continuously.



Fig 9

- ❑ In **OFF** mode, the feeder does not work. So if you choose to feed your pet manually use this function to turn off the feeder.

 NOTE
<p>To put the timer in AUTO mode always cycle from OFF mode to AUTO mode. Do not cycle from ON mode to AUTO mode as the feeder will feed continuously.</p>

2.3.3 Setting days of week to feed you pet

- ❑ The digital timer has 9 different **WEEK** options in which we can set schedules. Let us now see how to use these 9 different options.

The following 9 options are available.

- **All Days (Mon, Tue, Wed, Thu, Fri, Sat and Sun)**
- **Each Day (Mon), (Tue), (Wed), (Thu), (Fri), (Sat) and (Sun)**
- **Week Days (Mon, Tue, Wed, Thu and Fri)**
- **Week End (Sat and Sun)**
- **Six Days (Mon, Tue, Wed, Thu, Fri and Sat)**
- **Alternate Days (Mon, Wed and Fri)**
- **Alternate Days (Tue, Thu and Sat)**
- **Three Days (Mon, Tue and Wed)**
- **Three Days (Thu, Fri and Sat)**

2.3.4 Setting the days of Week

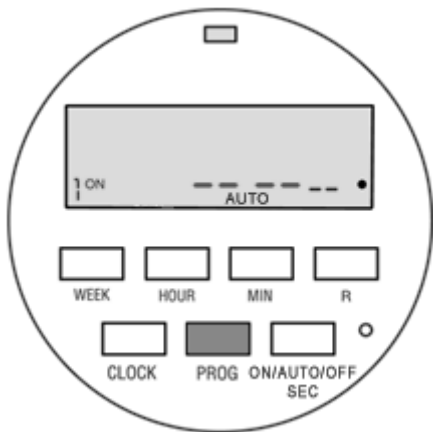


Fig 10

- Press **PROG** button to enter in to the prog mode. The display will show **1^{ON}** which means that we are setting the 1st schedule **ON** time.



Fig 11

- Press the **WEEK** button once and the display will show all days option.

- This option will set a common schedule for the entire week and this is recommended for all pet owners unless there are special requirements.



Fig 12

- Press **WEEK** button again and the display will show the each day option. This is the 2nd option, where the user can select another schedule that can be programmed. Toggle through the days of the **WEEK** by pressing the week button.



Fig 13

- Pressing **WEEK** button again will give you the week days option. This display will show Mon-Fri



Fig 14

- A scheduled program in this option will work on week days. Pressing **WEEK** button once again will lead to the weekend option. This display will show sat & sun. The schedule programmed in this option will work on weekends.



Fig 15

- Press **WEEK** button to go to the 5th option six days. You can schedule your feeder for six days from mon - sat.



Fig 16

- ❑ Press **WEEK** button again for the alternate day option mon, wed & fri.



Fig 17

- ❑ Press **WEEK** button once more for the other alternate option day tue, thu & sat.



Fig 18

- ❑ Press **WEEK** button again to go to the three days option which is to schedule for the first three days of the week such as mon, tue & wed.



Fig 19

- ❑ Press **WEEK** button again to go to three days option which is to schedule for next three days of the week such as thu, fri & sat.

2.4 Erasing all Schedules

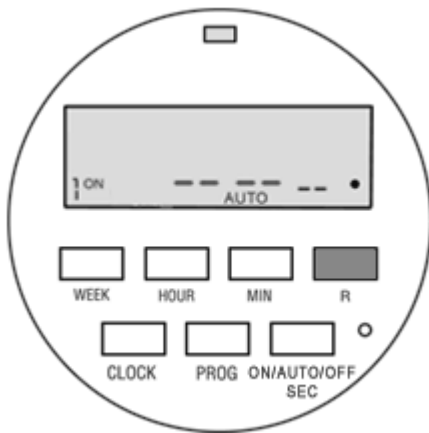


Fig 20

- ❑ Press **R** button to erase all schedules.

NOTE:

If you don't press a button while in program mode you will be taken back to **CLOCK** mode.

2.5 Timer Programming Examples:-

- ❑ Let us set a schedule of **ON** time for 8 a.m. and **OFF** time of 8 hours, 1minute, 30seconds. After 1minute & 30seconds the feeder will turn OFF.

2.5.1

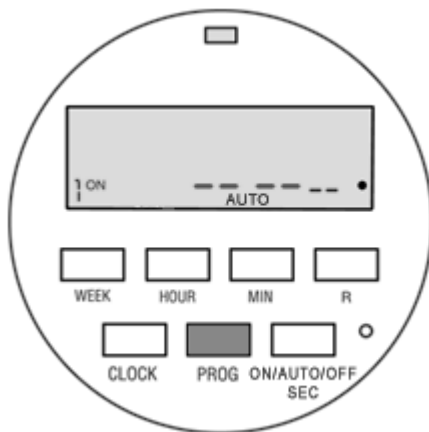


Fig 21

- ❑ Press **PROG** button to enter in to program mode. The display will show **1^{ON}** which means that we are setting the 1st schedule **ON** time.

2.5.2



Fig 22

- Press **WEEK** button once and the display will show Mon-Sun. This is the recommended program for all days of week

2.5.3

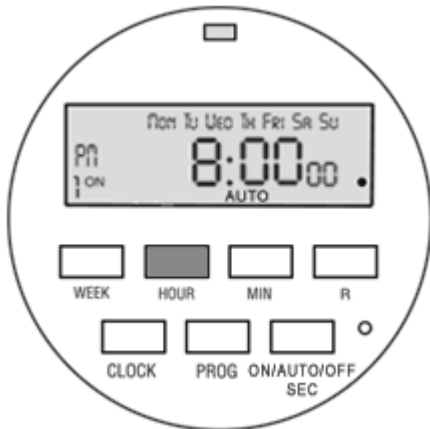


Fig 23

- Press the **HOUR** button till the display shows 8.

2.5.4

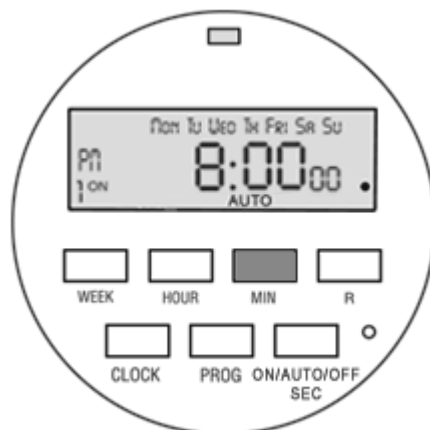


Fig 24

- Press the minute button till the display shows 00.

2.5.5

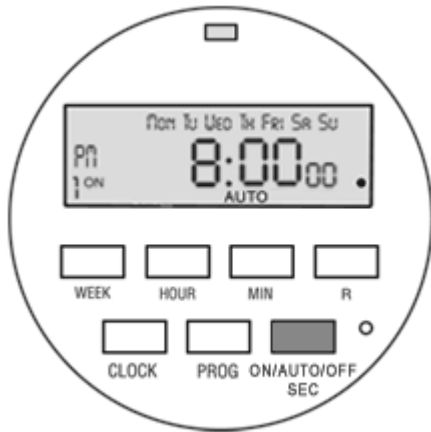


Fig 25

- Press the **ON/AUTO/OFF** button till the display shows 00 seconds. The **ON** time is now set to 8 a.m.

2.5.6

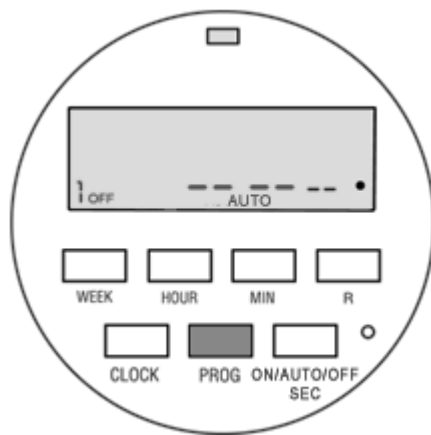


Fig 26

- Press the **PROG** button again and the display will show **1_{OFF}** which means that we are setting the first schedule for the **OFF** time.

2.5.7



Fig 27

- Press the **WEEK** button once and the display will show Mon-Sun. This is the recommended days of week set in **1^{ON}**.

2.5.8



Fig 28

- Press the **HOUR** button till the display shows 8.

2.5.9



Fig 29

- Press the **MINUTE** button until display in the **MINUTE** shows 8.01.

2.5.10



Fig 30

- Press the **ON/AUTO/OFF** button till the display shows 30 seconds. The **OFF** time is now set to 8hrs 1 min & 30 sec. The feeder time will be for 1 min and 30 sec.

2.5.11

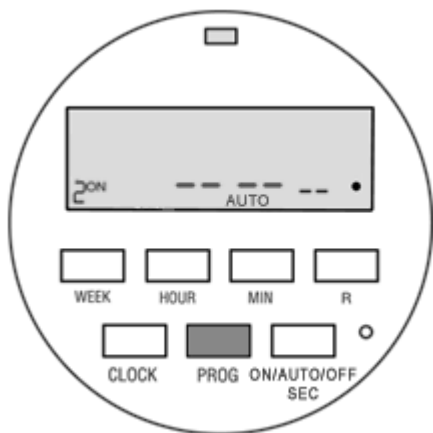


Fig 31

- ❑ Press the **PROG** button again. The display shows **2^{ON}** which means that we are setting the second feed.

Repeat programming from no. 2.5.2 to 2.5.10 to complete programming the second feed time.

- ❑ Similarly we can set 8 schedules for all days of the week by pressing the **PROG** button to go from program 1 to program 8.

2.5.12



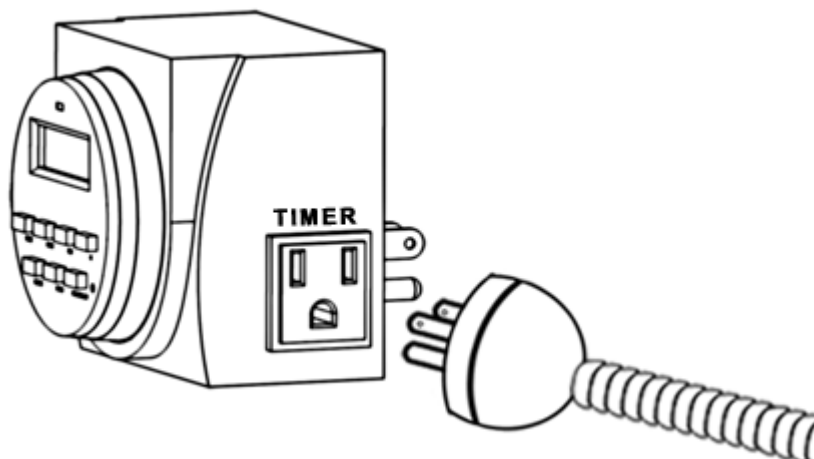
Fig 32

- ❑ Press the **CLOCK** button to exit from the **PROG** mode.

2.6 Connecting the Feeder into the Timer

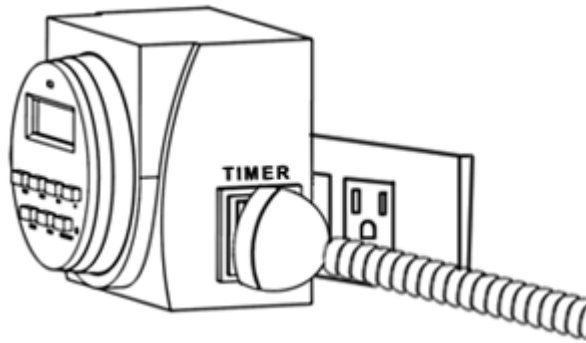
2.6.1

- ❑ Connect the cord of the feeder into the timer side of the timer.



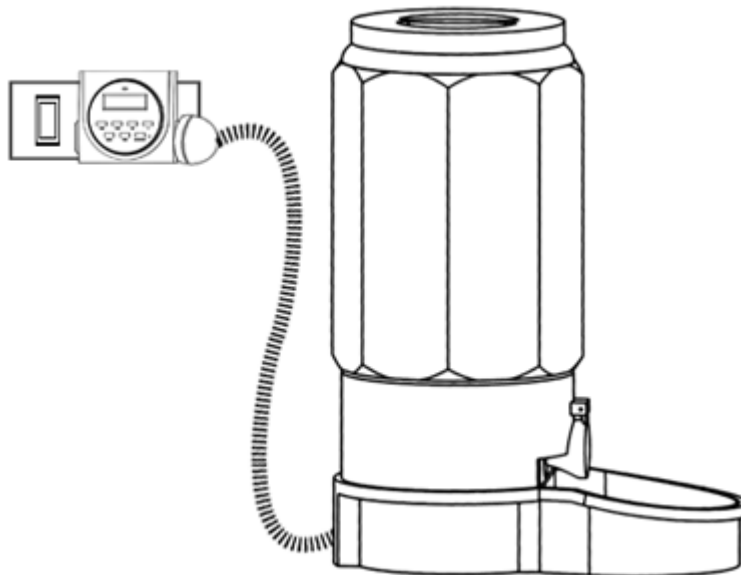
2.6.2

- ❑ Plug the timer into an 110 VAC wall socket.



NOTE:

Do not plug the cord of the feeder into the power side of the timer



Now the AUTOPET FEEDER is ready to feed your pet as per your schedule.



This product is for use on a normal 110-volt AC circuit. Make sure that the product is connected to an outlet having the same configuration as the plug. No adapter should be used with the product. This product must be grounded. If it should malfunction or breakdown, grounding provides a path of least resistance for electric current to reduce the risk of electric shock. This product is equipped with a cord having an equipment-grounding conductor and a grounding plug. The plug must be plugged into an appropriate outlet that is properly installed and grounded in accordance with all local codes and ordinances.

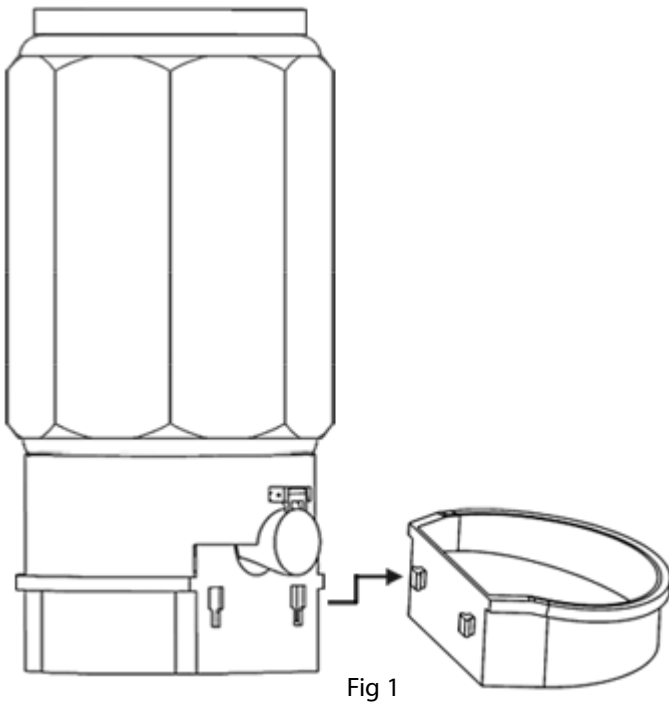
DANGER: Improper connection of the equipment-grounding conductor can result in a risk of electric shock. Check with qualified electrician or serviceman if you are in doubt as to whether the product is properly grounded. Do not modify the plug provided with the product - if it will not fit the outlet; have a proper outlet installed by a qualified electrician.

Maintenance

Your Autopetfeeder is easy to dismantle, clean and to assemble. Always disconnect feeder from 110VAC prior to cleaning. Do not under any circumstances wash down this feeder, serious injury could occur if the appliance is connected to 110 VAC. Below steps will make your cleaning process easier.

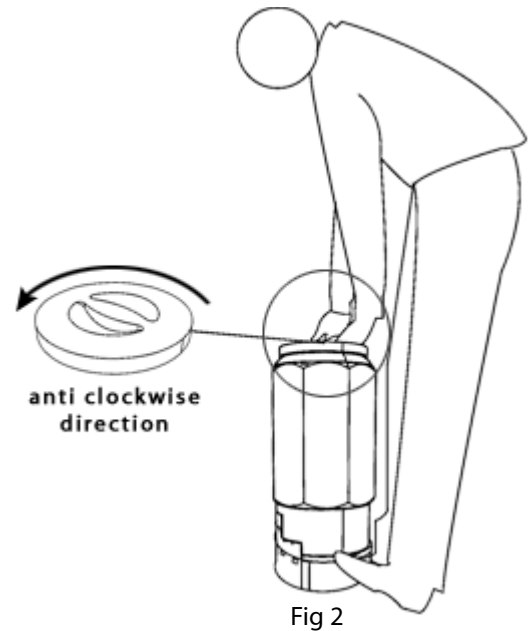
Step 1

- ❑ First disconnect the feeder bowl as shown in **Fig 1**.



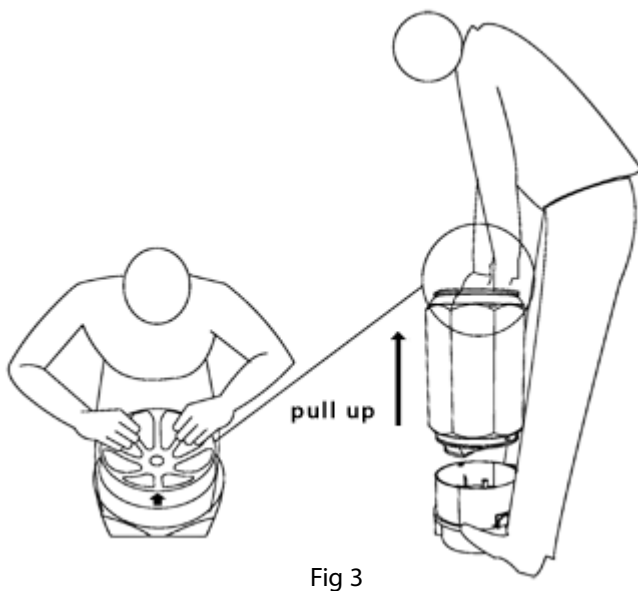
Step 2

- ❑ Unscrew the food container cover as shown in **Fig 2**.



Step 3

- ❑ Holding the feeder base tightly between your feet pull up the food container as shown in **Fig 3**.



Step 4

- ❑ Clean the inner area of the storage container.

Step 5

- ❑ Clean the Bowl and Lid.

Step 6

- ❑ Clean the Base.

**Cleaning of Autopetfeeder is completed.
Follow the below steps to reassemble your feeder.**

Step 7

- ❑ Check the arrow marks on the Feeder base and the Feeder container lines up together as shown in **Fig 4**.

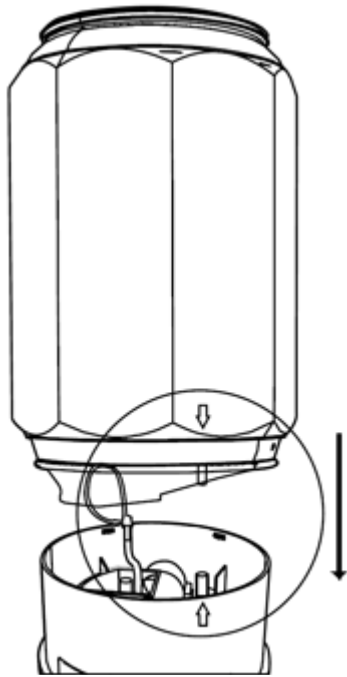


Fig 4

Step 8

- ❑ Make sure that the safety pin aligns with the safety switch receiver as shown in **Fig 5**.

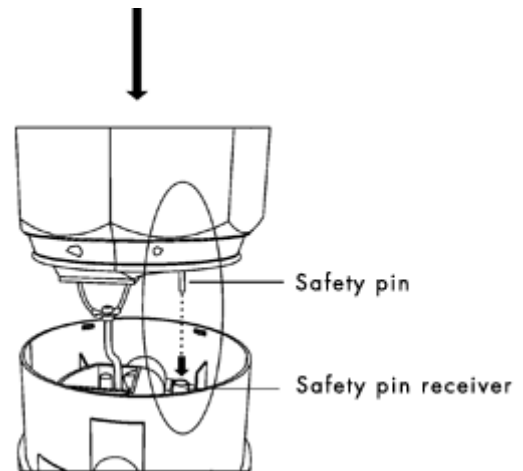
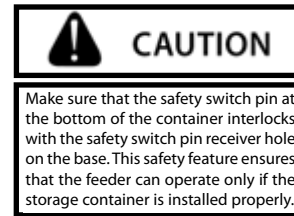


Fig 5

Step 9

- ❑ Then the bottle is pressed into the base as shown.

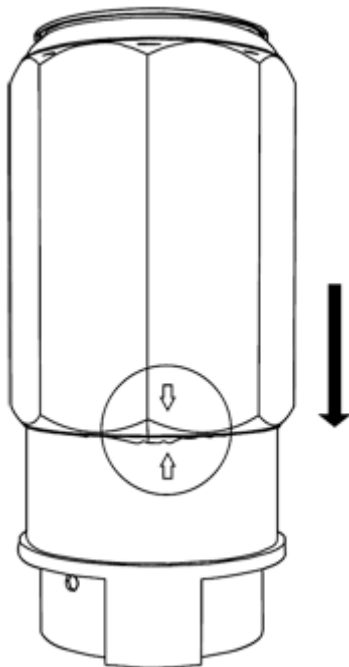


Fig 7

Step 10

- ❑ Replace the food container cover.

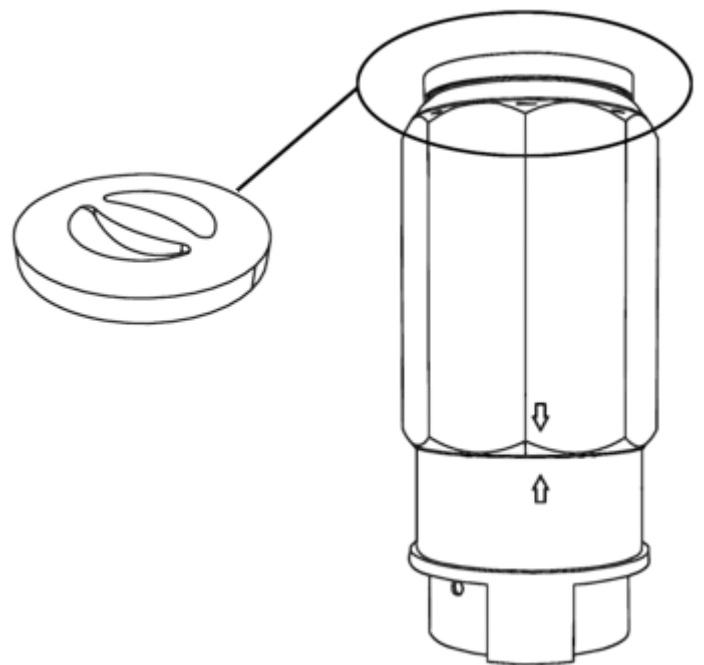


Fig 8

For replacing the bowl refer to Page No.4. (Step 1.2, 1.3 & 1.4)

Connect timer and power outlet and start feeding your loved ones with your clean Feeder.

TROUBLESHOOT

1. The manual talks of a safety switch, where is the safety switch actually located?

- The safety switch for the pet feeder is provided at the base of the unit. If you remove the food storage container from the base, you will notice that there is a small steel pin projecting from the food storage container. This pin will have to be placed in the Safety pin receiver also known as the safety switch.

Refer Page No.20. Step 9 (Fig 5)

2. The agitator on the medium/ large feeder does not turn?

If the auger turns and the agitator do not appear to function, please check for the following:

- The agitator rotates clockwise and anti-clockwise. If the agitator is stuck and does not move to the other direction, please apply some cooking oil on the stem of the agitator and it will function without a problem.
- If it still does not work, please contact 1-888-ERGOSYS for assistance.

3. Why does the auger appear to be floppy and loose?

- The auger on the auto pet feeder is meant to be loose and floppy since the motor is very powerful and if the auger were rigid, the motor would disable it from its position and cause a damage or defect.

4. Can I use the product outside?

- Ergo Systems Inc. does not recommend that the auto pet feeder be used out doors. If the unit is protected by the elements of nature and free from the attacks of raccoons, it can be kept outside to the discretion of pet owners.

5. Is the product bug free? Can bugs attack it?

- Bugs have not been a problem of the past with the auto pet feeder and if the unit is cleaned and well maintained then there would never be an issue with bugs getting in to the food.

6. Is the motor on the pet feeder replaceable?

- No, the motor on the auto pet feeder though as simple it may look cannot be replaced; please call 1-888-ERGOSYS if there is a problem with the motor.

7. How many days will it take my pet to get used to the pet feeder?

- Pets normally adapt immediately to the pet feeder but if your pet is used to eating from your hand or always having you around then it will take a couple of days before the pet gets used to the product.

8. Can my cats get feline acne by using your products?

- Cats are sometimes allergic to plastic. We guarantee that we use 100% food grade plastic on all products that are UL and CUL approved. The chances are minimum.

9. What if there is no power at my house at the time of feed?

- If there is no power supply at the time of feed, the feeder will not dispense food at that particular feeding schedule. The programs will remain in the timer and will continue to operate as programmed when the power supply comes on.

10. There are no instructions to set the seconds feature on the timer?

- The ON/ AUTO/ OFF button in the Program mode acts as the second's button. If you have any difficulty setting the timer, please call 1-888-ERGOSYS.

11. The food keeps dispensing all the time.

- Please check if the power cord from the auto pet feeder is plugged in the timer side of the timer. If the cord is plugged on the POWER side, the feeder will run continuously. Please check if the timer is in the ON mode. If the problem persists, Please call 1-888-ERGOSYS.

12. What is the third circle on the timer for?

- The third circle on the timer indicates the daylight saving time and gets activated when you set the timer for the daylight saving feature.

13. The food is ground and broken down when it reaches the feeding bowl.

- Please check if the size of pet feed you use in the feeder is within the size specified. This could be a result of over sized feed. Please check food size table below and find out if your feed size matches.

LARGE FEEDER

Minimum Timer Setting = 1 Second

OZS	Timer Setting
3	1 minute
6	2 minute
9	3 minute
12	4 minute
15	5 minute

Maximum Food size is



7/8" diameter
(ACTUAL SIZE)

MEDIUM FEEDER

Minimum Timer Setting = 1 Second

OZS	Timer Setting
1 ½	1 minute
3	2 minute
4 ½	3 minute
6	4 minute
8	5 minute

Maximum Food size is



3/4" diameter
(ACTUAL SIZE)

SMALL FEEDER

Minimum Timer Setting = 1 Second

OZS	Timer Setting
1 ½	1 minute
3	2 minute
4 ½	3 minute
6	4 minute
8	5 minute

Maximum Food size is



3/8" diameter
(ACTUAL SIZE)

14. My auger is jammed and clogged.

- The jamming of the auger could be because there was a usage of over-sized feed. Please clear the auger area and run the feeder. If problem persists, please call 1-888-ERGOSYS.

15. My dog broke the front flap.

- Pets would try to nudge and try to get more food from the auger area and when the auger cover prevents this from happening they invariably break the part. Please secure the part with a sticky tape and this will not happen.

16. Characters on the timer are impaired over a period.

- The battery on the digital timer is just as that of our digital quartz watches that fade over a period. These special batteries cannot be replaced and you will have to purchase another timer.

17. The timer does not shut off, even after several times of resetting.

- Please call 1-888-ERGOSYS and go through the settings with our experienced staff. If things do not work out, there could be a defect with the timer.

Corporate Office

Ergo Systems Inc.,
1105 S. WestWood Ave,
Addison,
IL 60101.

E-Mail

contact@autopetfeeder.com

Toll-Free Phone. US only

1-888-ERGOSYS
(1-888-374-6797)

Website

<http://www.autopetfeeder.com>

International Phone

1-630-543-7686



Warranty Registration

<http://www.autopetfeeder.com/warranty.asp>

Fax

1-630-839-3321